



united NDT

Authorized Center for **Sonotron NDT**

Calibration Test Blocks



...if you don't find what you are looking for!

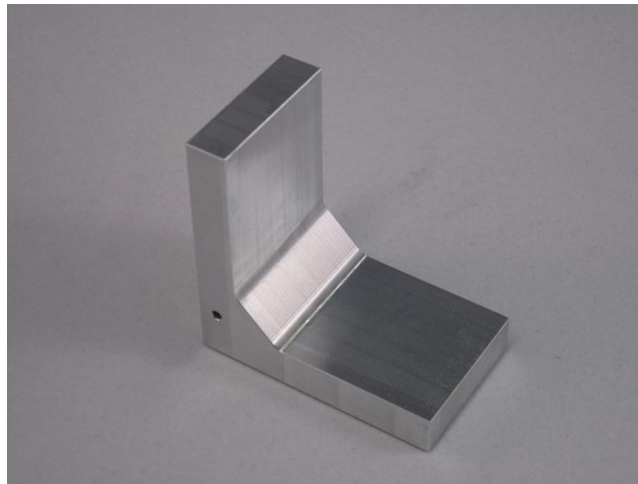
**We also manufacture as per
customer requirement!**

United NDT
Mottmannstraße 1 - 3
53842 Troisdorf Germany
VAT ID: DE815247769
TAX ID: 216/5197/2647

www.united-NDT.com
Tel.+49 2203 57 44 996
Mobil +49 157 717 55991
info@united-ndt.com
Manager Director
Peter Toeppen

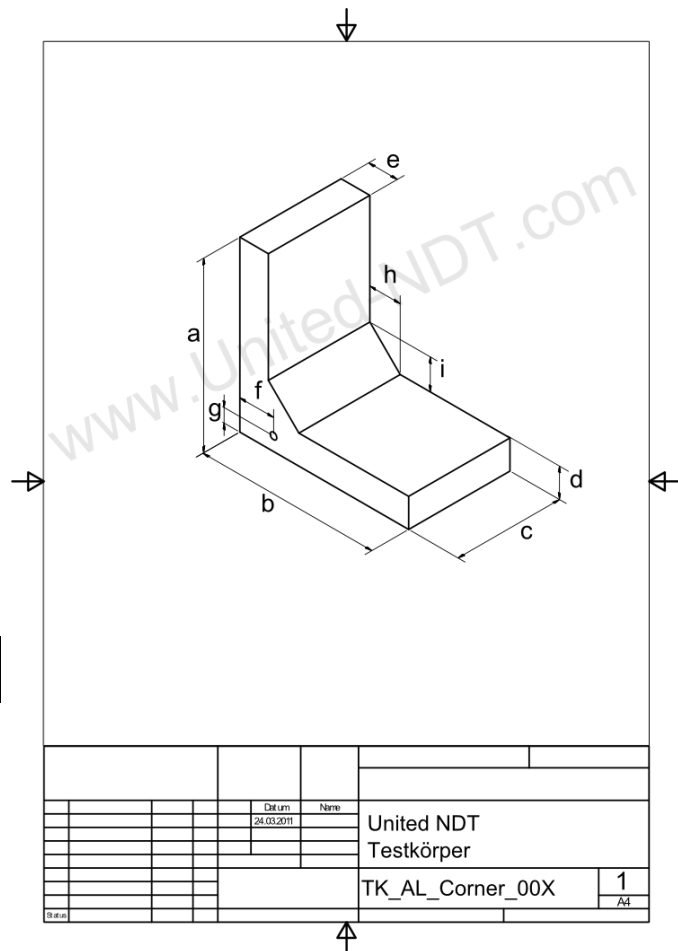
Postbank
BLZ 500 100 60
Kto 815670604
IBAN DE30 5001 0060 0815 6706 04
BIC PBNKDEFF

Corner 1 – aluminium



Order Code: U-TB-corner-01-E

all dimensions in mm	
a	50
b	50
c	20
d	8,5
e	8,5
f	10
g	4
h	9
i	9
drilled hole	Ø 2
Price in €	123.00



United NDT		Testkörper	
TK_AL_Corner_00X		1	1/44

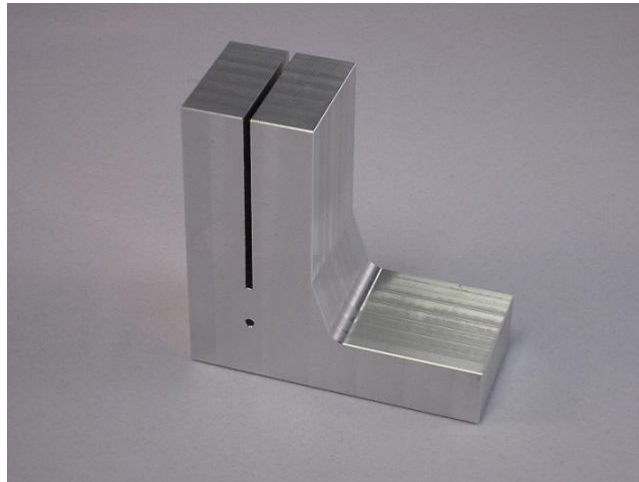
We also manufacture as per customer requirement!

United NDT
Mottmannstraße 1 - 3
53842 Troisdorf Germany
VAT ID: DE815247769
TAX ID: 216/5197/2647

www.united-NDT.com
Tel.+49 2203 57 44 996
Mobil +49 157 717 55991
info@united-ndt.com
Manager Director
Peter Toebben

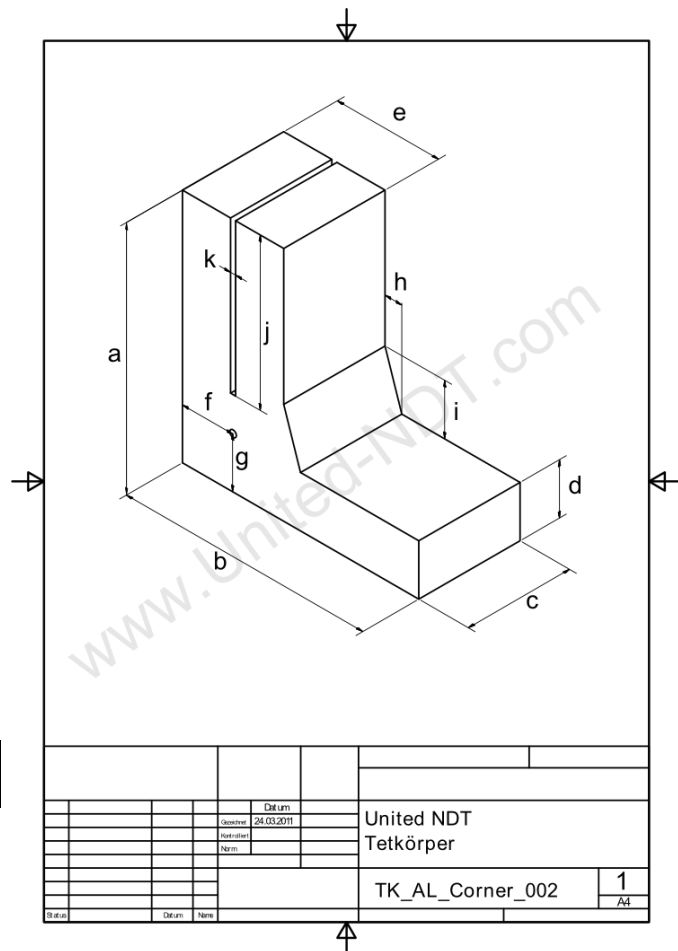
Postbank
BLZ 500 100 60
Kto 815670604
IBAN DE30 5001 0060 0815 6706 04
BIC PBNKDEFF

Corner 2 – aluminium



Order Code: U-TB-RD0910111-E

all dimensions in mm	
a	70
b	70
c	20
d	15
e	30
f	15
g	15
h	5
i	15
j	45
k	1,5
drilled hole	Ø 2
Price in €	165.00



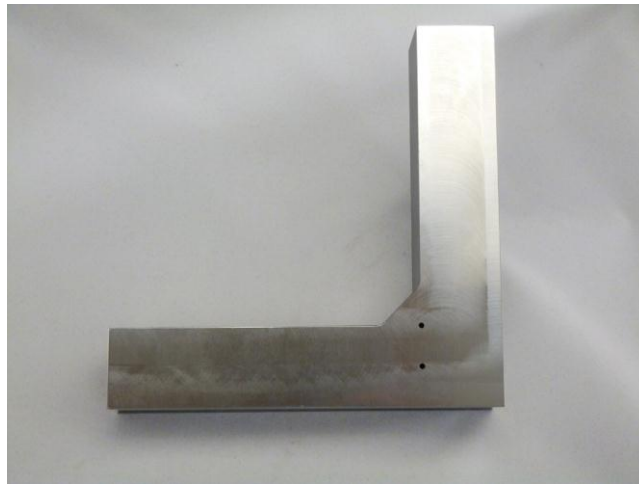
We also manufacture as per customer requirement!

United NDT
Mottmannstraße 1 - 3
53842 Troisdorf Germany
VAT ID: DE815247769
TAX ID: 216/5197/2647

www.united-NDT.com
Tel.+49 2203 57 44 996
Mobil +49 157 717 55991
info@united-ndt.com
Manager Director
Peter Toebben

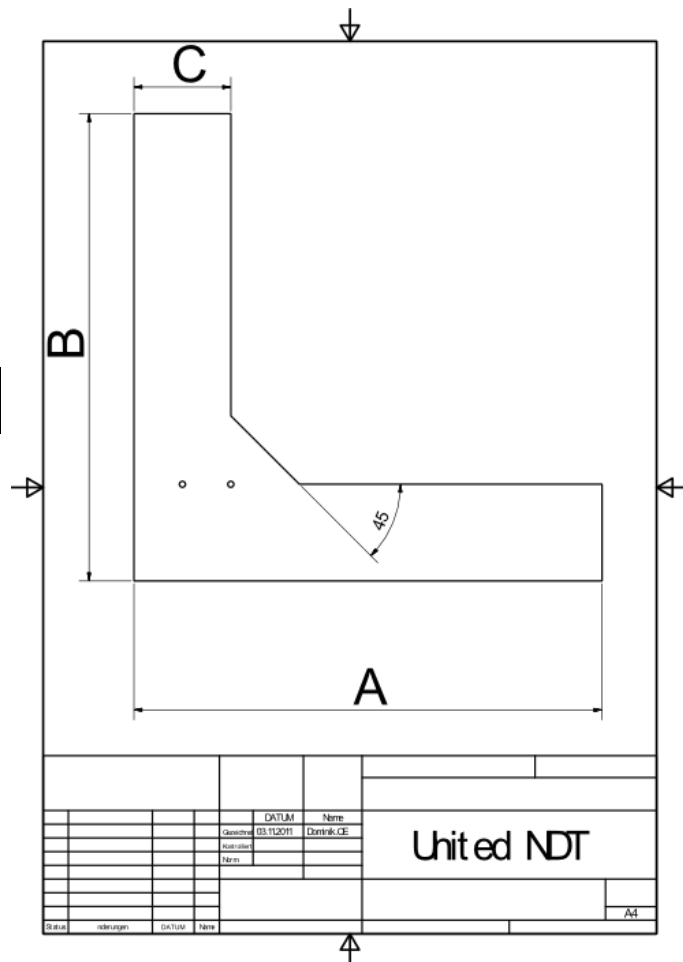
Postbank
BLZ 500 100 60
Kto 815670604
IBAN DE30 5001 0060 0815 6706 04
BIC PBNKDEFF

Corner 3 – aluminium



Order Code: U-TB-corner-03-E

all dimensions in mm	
a	145
b	145
c	30
t	30
drilled holes	Ø 2
Price in €	362.00



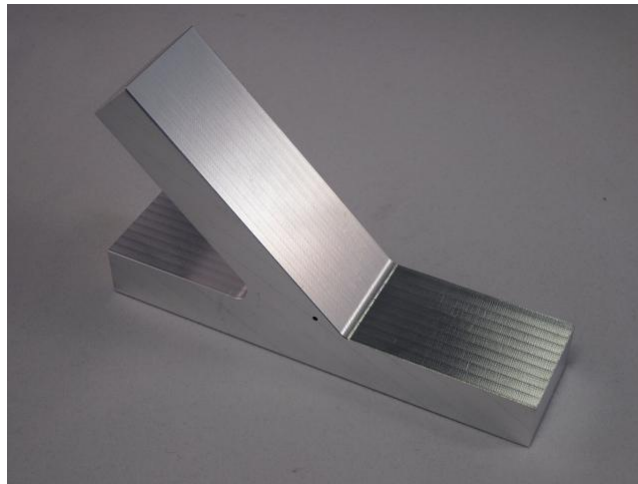
We also manufacture as per customer requirement!

United NDT
Mottmannstraße 1 - 3
53842 Troisdorf Germany
VAT ID: DE815247769
TAX ID: 216/5197/2647

www.united-NDT.com
Tel.+49 2203 57 44 996
Mobil +49 157 717 55991
info@united-ndt.com
Manager Director
Peter Toebben

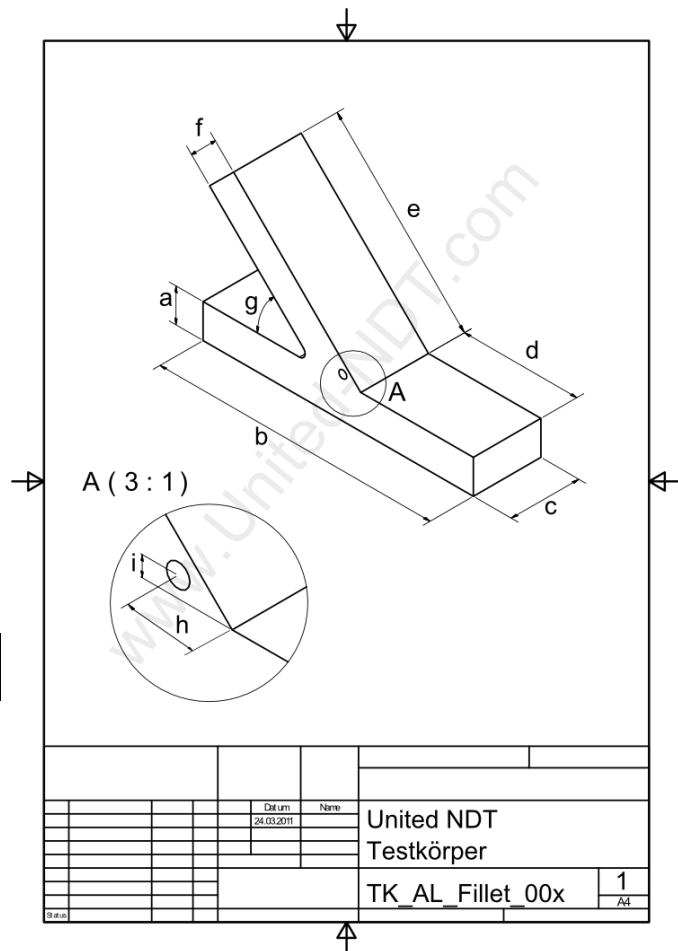
Postbank
BLZ 500 100 60
Kto 815670604
IBAN DE30 5001 0060 0815 6706 04
BIC PBNKDEFF

Fillet - aluminium



Order Code: U-TB-RD1012051-E

all dimensions in mm	
a	15
b	120
c	20
d	50
e	80
f	15
g	45°
h	8
i	3
drilled hole	Ø 1,2
Price in €	200,00



We also manufacture as per customer requirement!

United NDT
Mottmannstraße 1 - 3
53842 Troisdorf Germany
VAT ID: DE815247769
TAX ID: 216/5197/2647

www.united-NDT.com
Tel.+49 2203 57 44 996
Mobil +49 157 717 55991
info@united-ndt.com
Manager Director
Peter Toebben

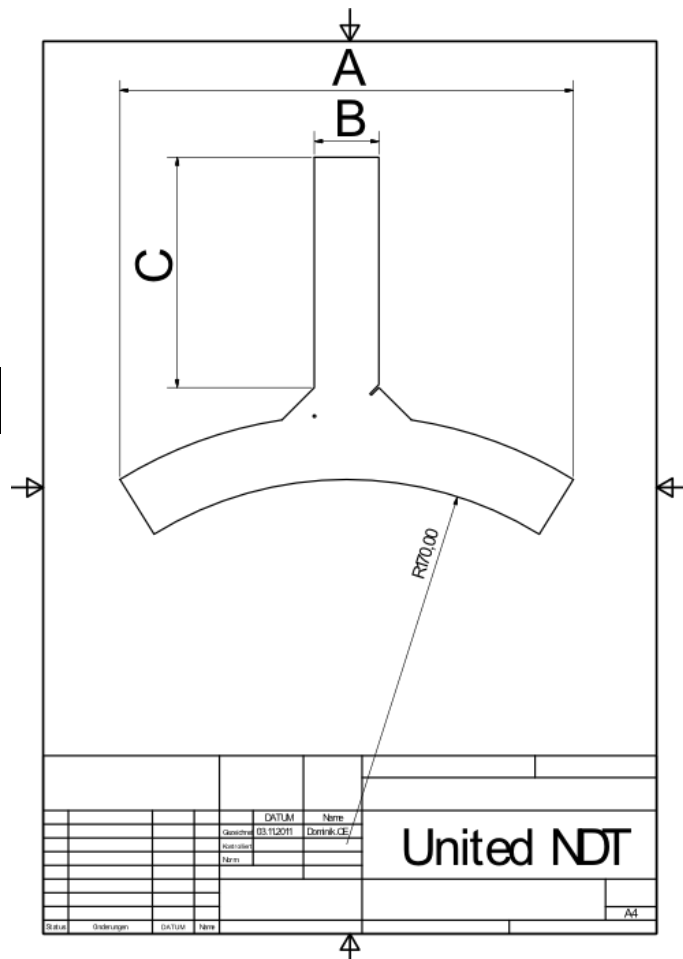
Postbank
BLZ 500 100 60
Kto 815670604
IBAN DE30 5001 0060 0815 6706 04
BIC PBNKDEFF

Fillet CU- aluminium



Order Code: U-TB-Fillet-CU-E

all dimensions in mm	
A	200
B	30
C	100
t	20
drilled hole	Ø 1,2
Price in €	585,00



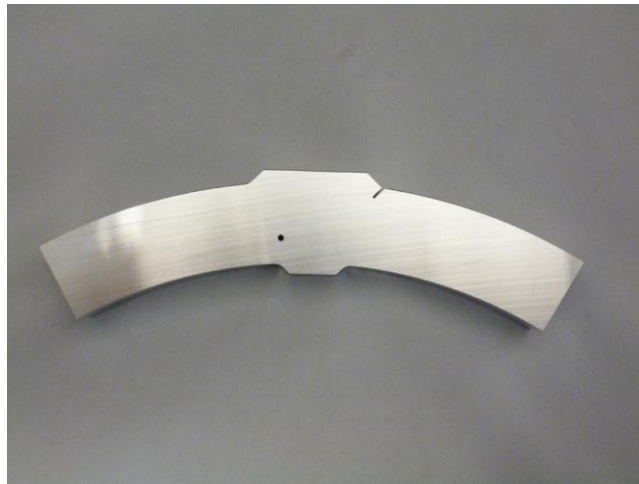
We also manufacture as per customer requirement!

United NDT
Mottmannstraße 1 - 3
53842 Troisdorf Germany
VAT ID: DE815247769
TAX ID: 216/5197/2647

www.united-NDT.com
Tel.+49 2203 57 44 996
Mobil +49 157 717 55991
info@united-ndt.com
Manager Director
Peter Toebben

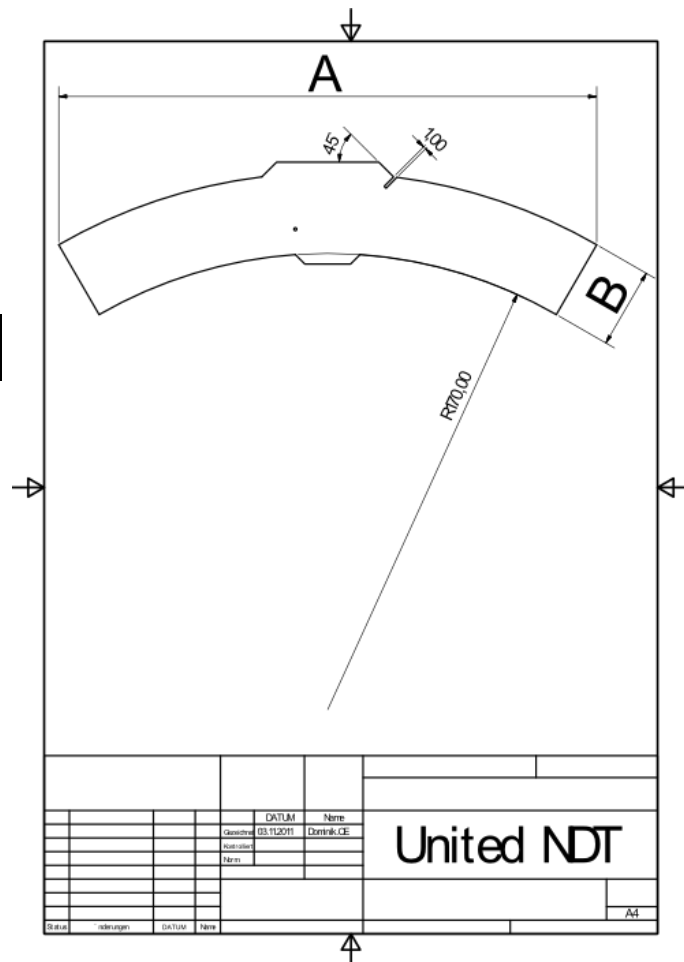
Postbank
BLZ 500 100 60
Kto 815670604
IBAN DE30 5001 0060 0815 6706 04
BIC PBNKDEFF

Expert CU - aluminium



Order Code: U-TB-expert-CU-E

all dimensions in mm	
A	200
B	30
t	20
drilled hole	Ø 1,2
Price in €	468,00



We also manufacture as per customer requirement!

United NDT
 Mottmannstraße 1 - 3
 53842 Troisdorf Germany
 VAT ID: DE815247769
 TAX ID: 216/5197/2647

www.united-NDT.com
 Tel.+49 2203 57 44 996
 Mobil +49 157 717 55991
 info@united-ndt.com
 Manager Director
 Peter Toebben

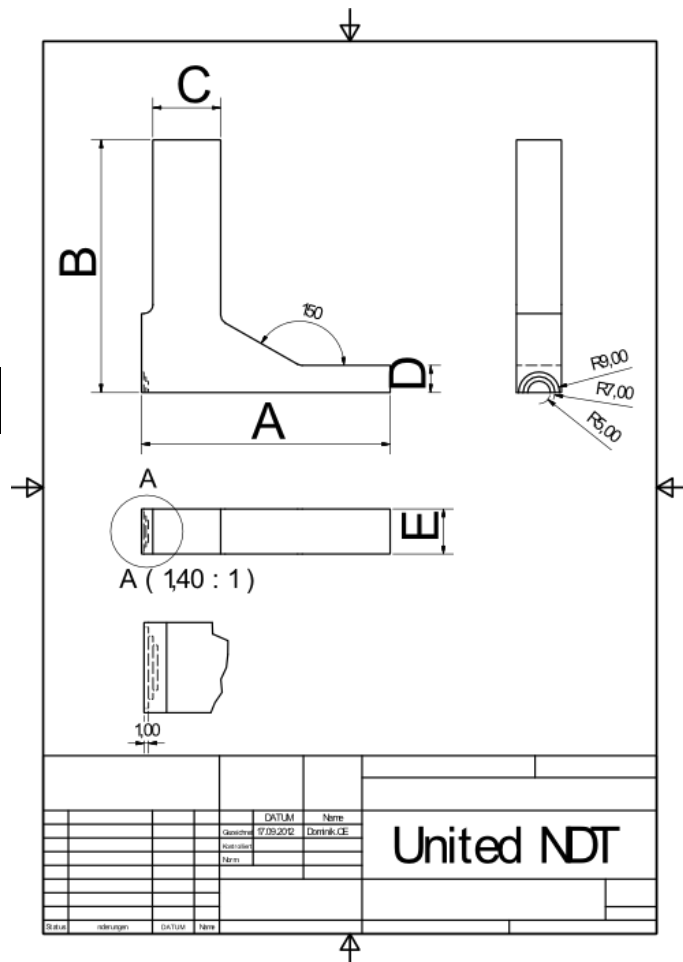
Postbank
 BLZ 500 100 60
 Kto 815670604
 IBAN DE30 5001 0060 0815 6706 04
 BIC PBNKDEFF

Phantom Set - aluminium



Order Code: U-TB-SS1204231-E

all dimensions in mm	
A	110
B	110
C	30
D	12
E	20
Price in €	816,00



We also manufacture as per customer requirement!

United NDT
 Mottmannstraße 1 - 3
 53842 Troisdorf Germany
 VAT ID: DE815247769
 TAX ID: 216/5197/2647

www.united-NDT.com
 Tel.+49 2203 57 44 996
 Mobil +49 157 717 55991
 info@united-ndt.com
 Manager Director
 Peter Toebben

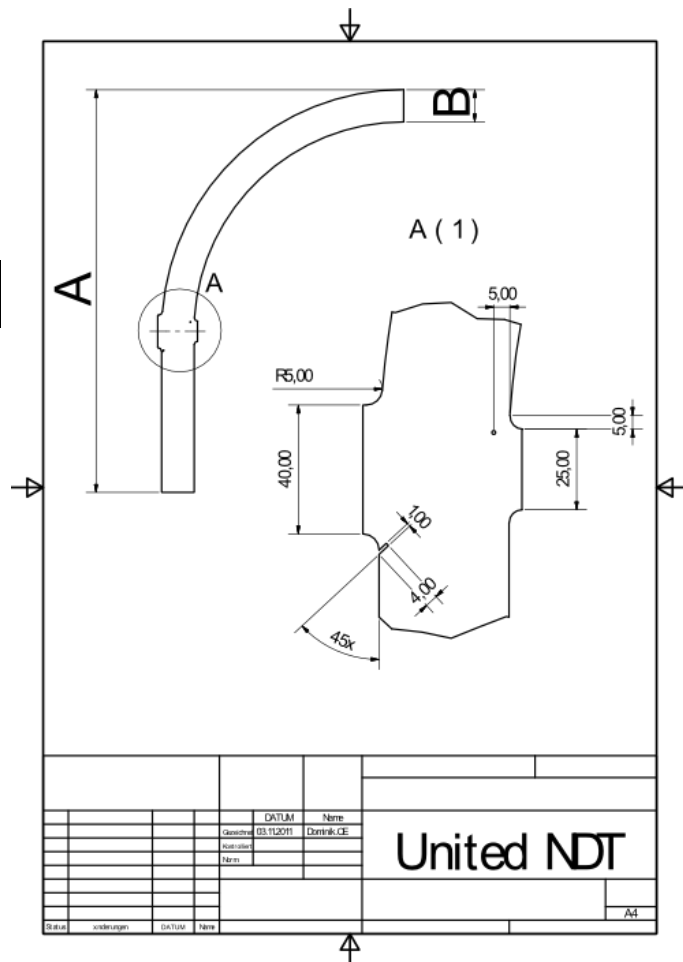
Postbank
 BLZ 500 100 60
 Kto 815670604
 IBAN DE30 5001 0060 0815 6706 04
 BIC PBNKDEFF

Elbow B – aluminium



Order Code: U-TB-RD1010061B-E

all dimensions in mm	
a	500
b	40
drill hole	Ø 1,2
Price in €	453.00



We also manufacture as per customer requirement!

United NDT
 Mottmannstraße 1 - 3
 53842 Troisdorf Germany
 VAT ID: DE815247769
 TAX ID: 216/5197/2647

www.united-NDT.com
 Tel.+49 2203 57 44 996
 Mobil +49 157 717 55991
 info@united-ndt.com
 Manager Director
 Peter Toebben

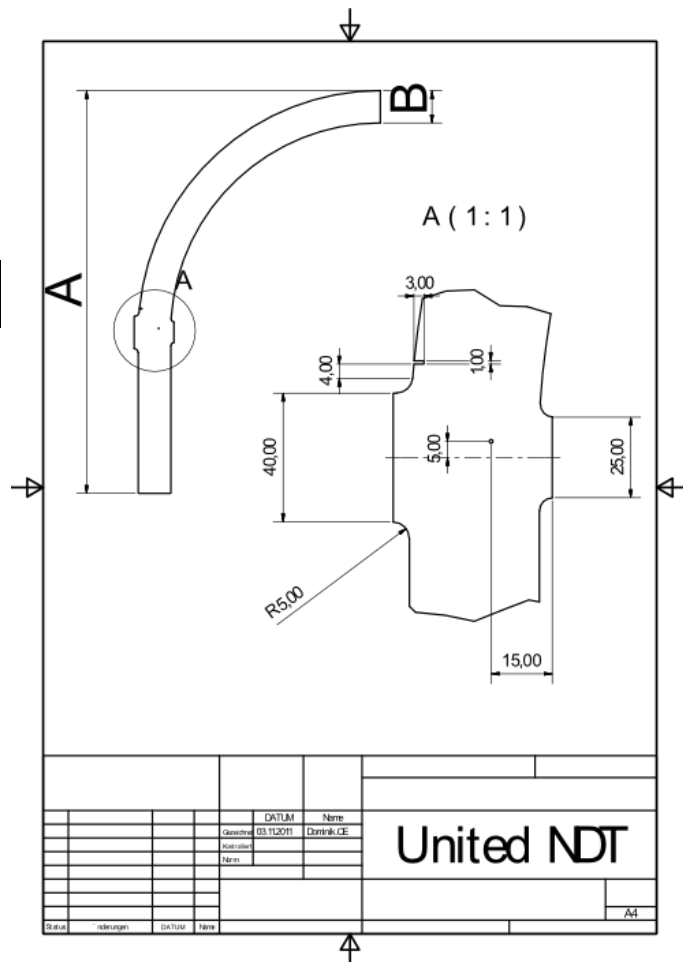
Postbank
 BLZ 500 100 60
 Kto 815670604
 IBAN DE30 5001 0060 0815 6706 04
 BIC PBNKDEFF

Elbow C – aluminium



Order Code: U-TB-RD1010061C-E

all dimensions in mm	
a	500
b	40
drilled hole	Ø 1,2
Price in €	453.00



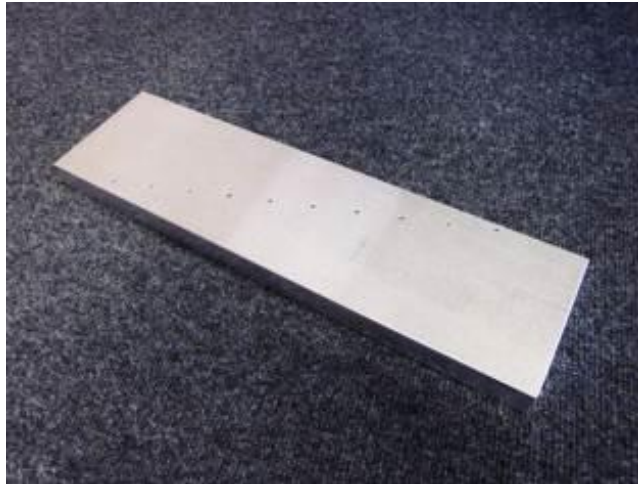
We also manufacture as per customer requirement!

United NDT
Mottmannstraße 1 - 3
53842 Troisdorf Germany
VAT ID: DE815247769
TAX ID: 216/5197/2647

www.united-NDT.com
Tel.+49 2203 57 44 996
Mobil +49 157 717 55991
info@united-ndt.com
Manager Director
Peter Toebben

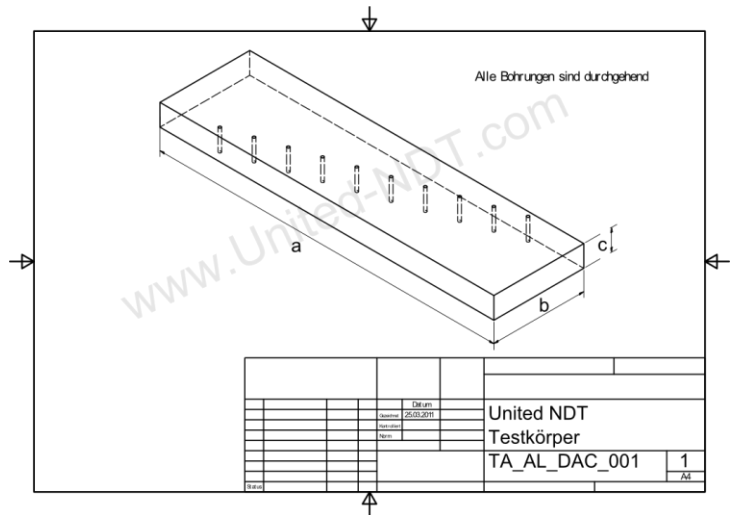
Postbank
BLZ 500 100 60
Kto 815670604
IBAN DE30 5001 0060 0815 6706 04
BIC PBNKDEFF

DAC – aluminium



Order Code: TK_AL_DAC_001-E

all dimensions in mm	
a	390
b	105
c	25
drilled holes	Ø 3
Price in €	210.00



We also manufacture as per customer requirement!

United NDT
 Mottmannstraße 1 - 3
 53842 Troisdorf Germany
 VAT ID: DE815247769
 TAX ID: 216/5197/2647

www.united-NDT.com
 Tel.+49 2203 57 44 996
 Mobil +49 157 717 55991
 info@united-ndt.com
 Manager Director
 Peter Toebben

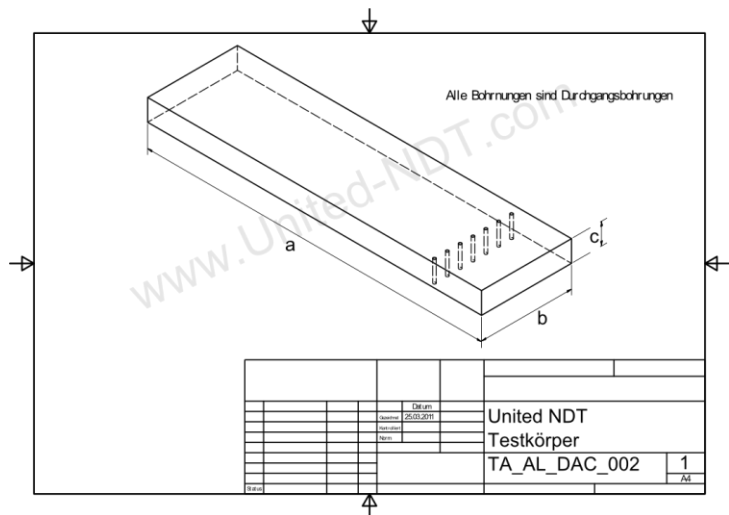
Postbank
 BLZ 500 100 60
 Kto 815670604
 IBAN DE30 5001 0060 0815 6706 04
 BIC PBNKDEFF

DAC – aluminium



Order Code: TK_AL_DAC_002-E

all dimensions in mm	
a	390
b	105
c	25
drilled holes	Ø 3
Price in €	210.00



We also manufacture as per customer requirement!

United NDT
Mottmannstraße 1 - 3
53842 Troisdorf Germany
VAT ID: DE815247769
TAX ID: 216/5197/2647

www.united-NDT.com
Tel.+49 2203 57 44 996
Mobil +49 157 717 55991
info@united-ndt.com
Manager Director
Peter Toebben

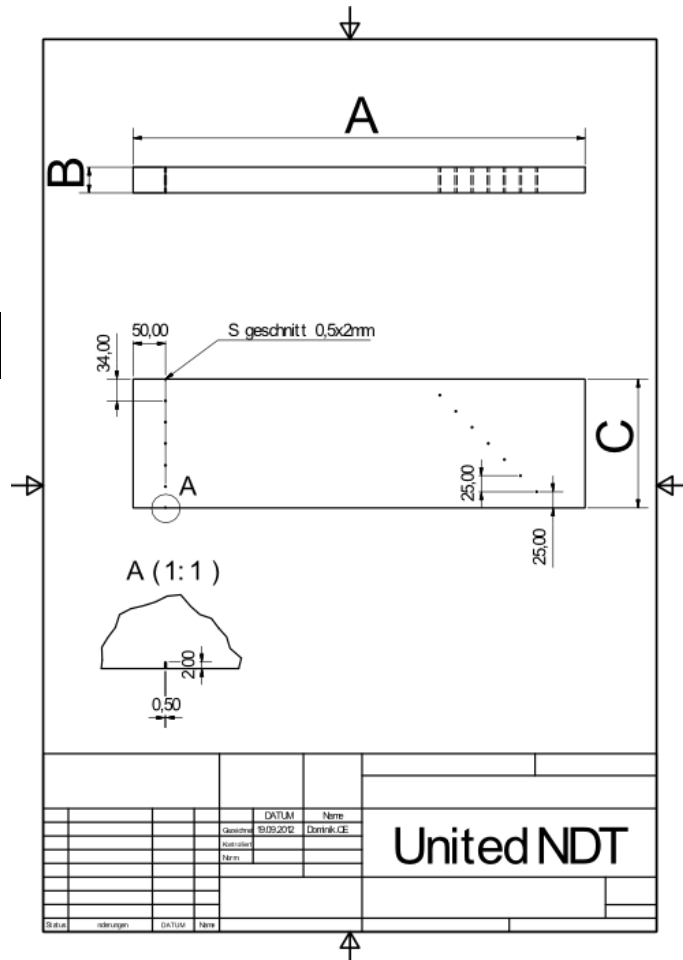
Postbank
BLZ 500 100 60
Kto 815670604
IBAN DE30 5001 0060 0815 6706 04
BIC PBNKDEFF

PA Heavy Thickness 1- aluminium



Order Code: U-TB-RD1007011-E

all dimensions in mm	
A	700
B	40
C	200
drilled holes	Ø 3
Price in €	1617,00



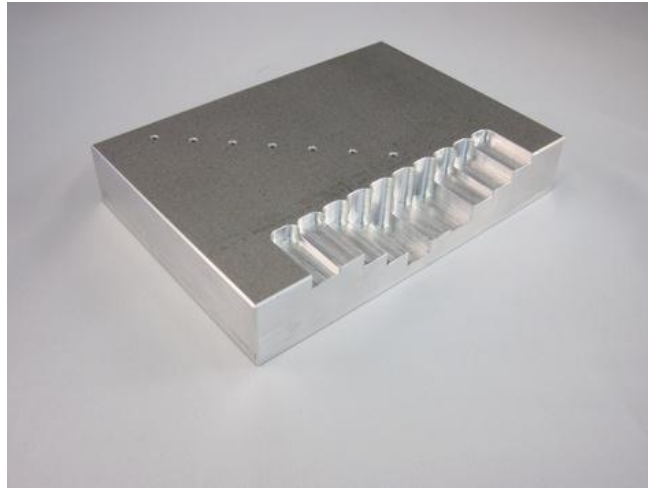
We also manufacture as per customer requirement!

United NDT
 Mottmannstraße 1 - 3
 53842 Troisdorf Germany
 VAT ID: DE815247769
 TAX ID: 216/5197/2647

www.united-NDT.com
 Tel.+49 2203 57 44 996
 Mobil +49 157 717 55991
 info@united-ndt.com
 Manager Director
 Peter Toebben

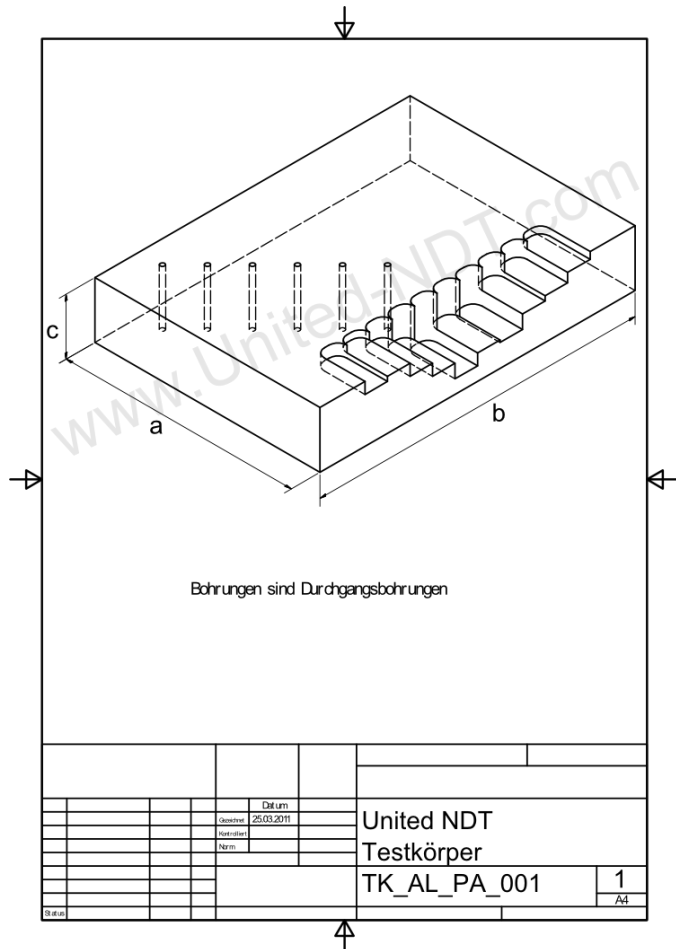
Postbank
 BLZ 500 100 60
 Kto 815670604
 IBAN DE30 5001 0060 0815 6706 04
 BIC PBNKDEFF

PA – aluminium



Order Code: TK_AL_PA_001-E

all dimensions in mm	
a	100
b	140
c	25
drilled holes	Ø 2
Price in €	200,00



We also manufacture as per customer requirement!

United NDT
Mottmannstraße 1 - 3
53842 Troisdorf Germany
VAT ID: DE815247769
TAX ID: 216/5197/2647

www.united-NDT.com
Tel.+49 2203 57 44 996
Mobil +49 157 717 55991
info@united-ndt.com
Manager Director
Peter Toebben

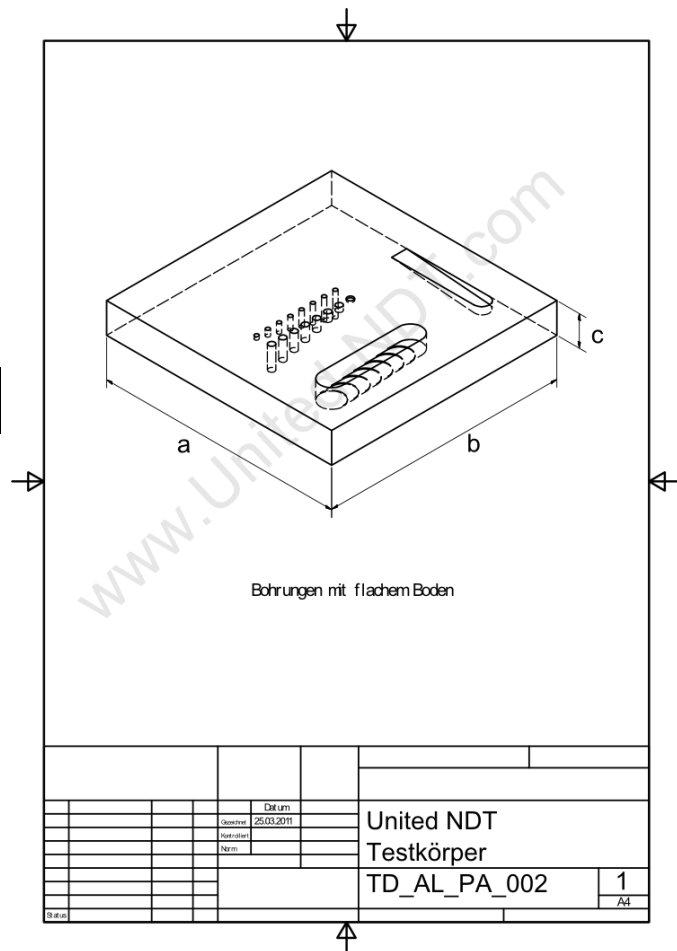
Postbank
BLZ 500 100 60
Kto 815670604
IBAN DE30 5001 0060 0815 6706 04
BIC PBNKDEFF

PA – aluminium



Order Code: TK_AL_PA_002-E

all dimensions in mm	
a	150
b	150
c	20
flat bottom holes	Ø 2,5
flat bottom holes	Ø 4
Price in €	200,00



Date: 25.03.2011		United NDT Testkörper TD_AL_PA_002	1 /44
Quantity:			
Material:			
Name:			
Bohrung			

We also manufacture as per customer requirement!

United NDT
Mottmannstraße 1 - 3
53842 Troisdorf Germany
VAT ID: DE815247769
TAX ID: 216/5197/2647

www.united-NDT.com
Tel.+49 2203 57 44 996
Mobil +49 157 717 55991
info@united-ndt.com
Manager Director
Peter Toebben

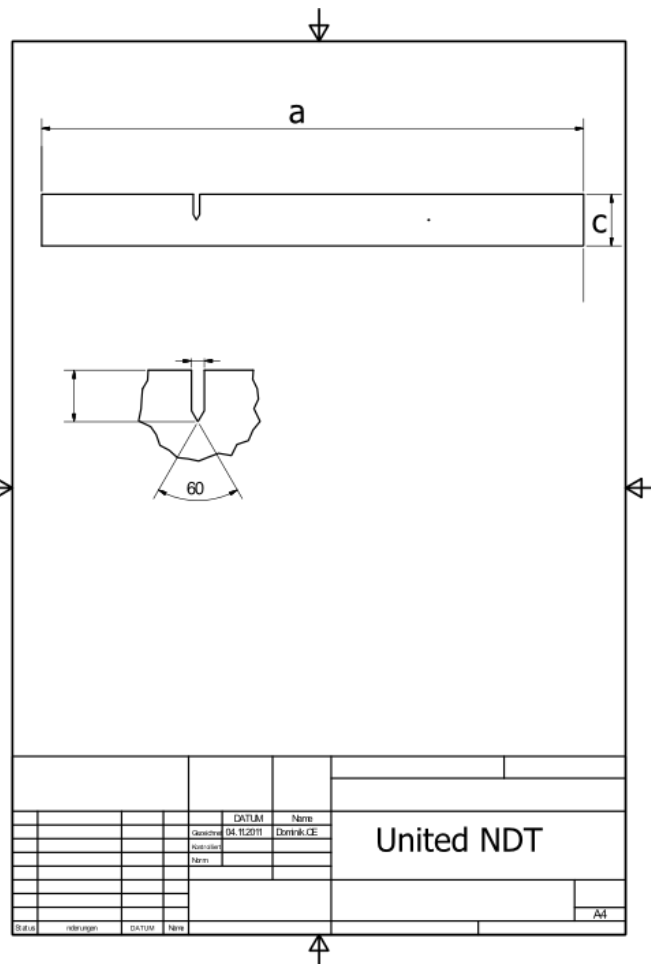
Postbank
BLZ 500 100 60
Kto 815670604
IBAN DE30 5001 0060 0815 6706 04
BIC PBNKDEFF

Steel saw-cut



Order Code: TK-ST420-25-E

all dimensions in mm	
a	420
b	25
c	40
Cut depth	20
Cut width	5
Drilled hole	1
Price in €	206.00



United NDT
 Mottmannstraße 1 - 3
 53842 Troisdorf Germany
 VAT ID: DE815247769
 TAX ID: 216/5197/2647

www.united-NDT.com
 Tel.+49 2203 57 44 996
 Mobil +49 157 717 55991
 info@united-ndt.com
 Manager Director
 Peter Toebben

Postbank
 BLZ 500 100 60
 Kto 815670604
 IBAN DE30 5001 0060 0815 6706 04
 BIC PBNKDEFF